

EZ·COVER



The Best Single User
Manual Safety Cover



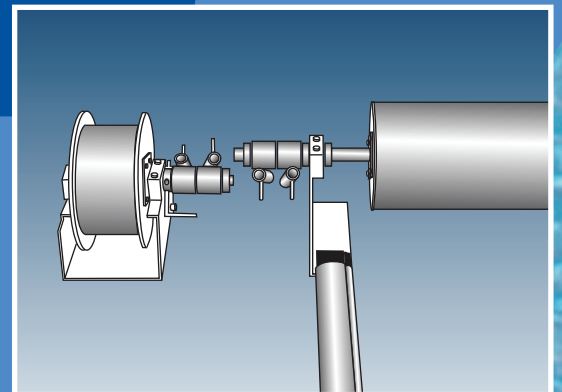
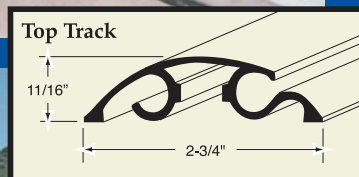
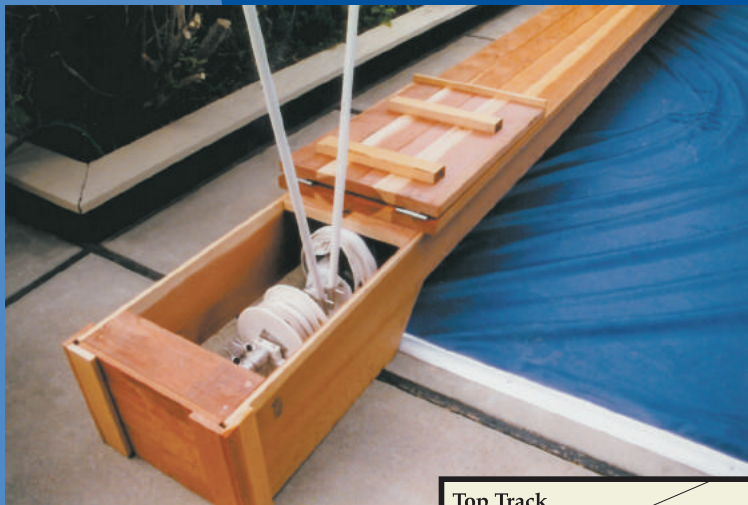
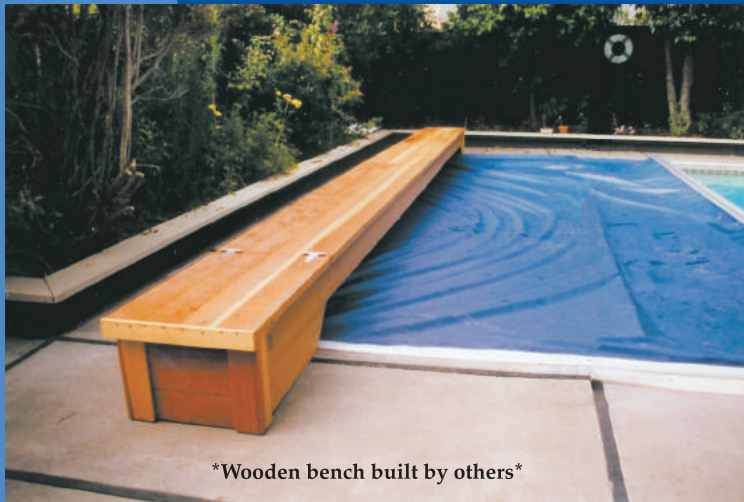
EZ Cover is a product of Aquamatic Cover Systems

A New Concept in Easy-to-Use Manual Safety Covers

Save Lives • Save Energy • Keep Pools Clean

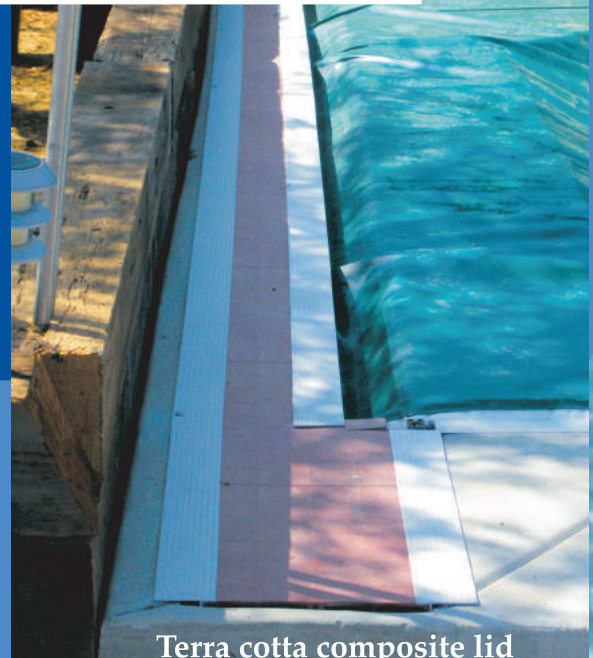
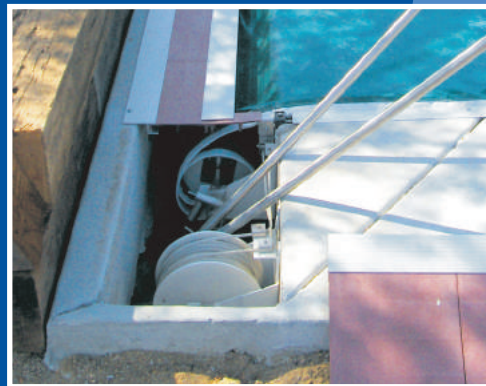
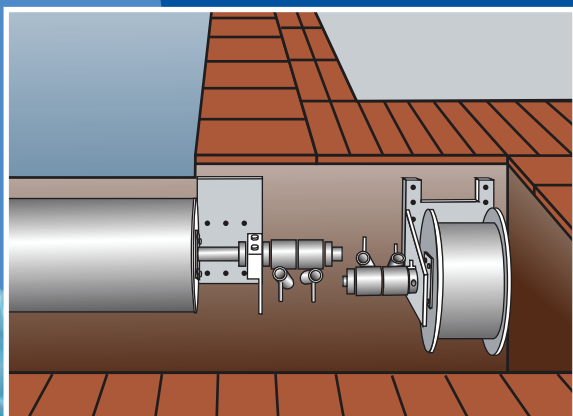
The Best Single User Manual Safety Cover

Now you can have all the safety and cost savings of an automatic pool cover at a cost effective price. **EZ Cover** looks and moves like an automatic cover but without the hydraulic mechanism, at about half the price. The effortless operation takes on average about 70 seconds to open and/or close the cover. It's so easy you'll use it daily to keep your pool safely covered anytime it's not in use. **EZ Cover** also comes complete with a seven year fabric warranty and lifetime mechanism warranty.



Features

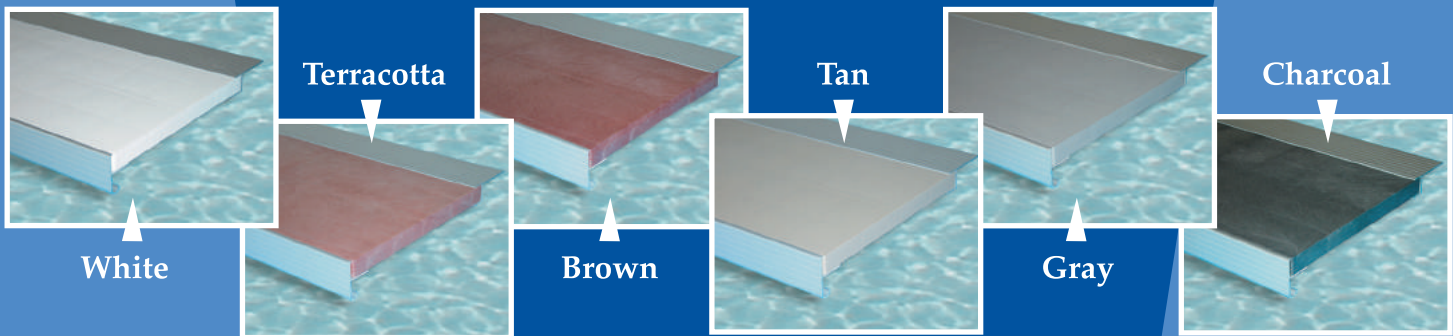
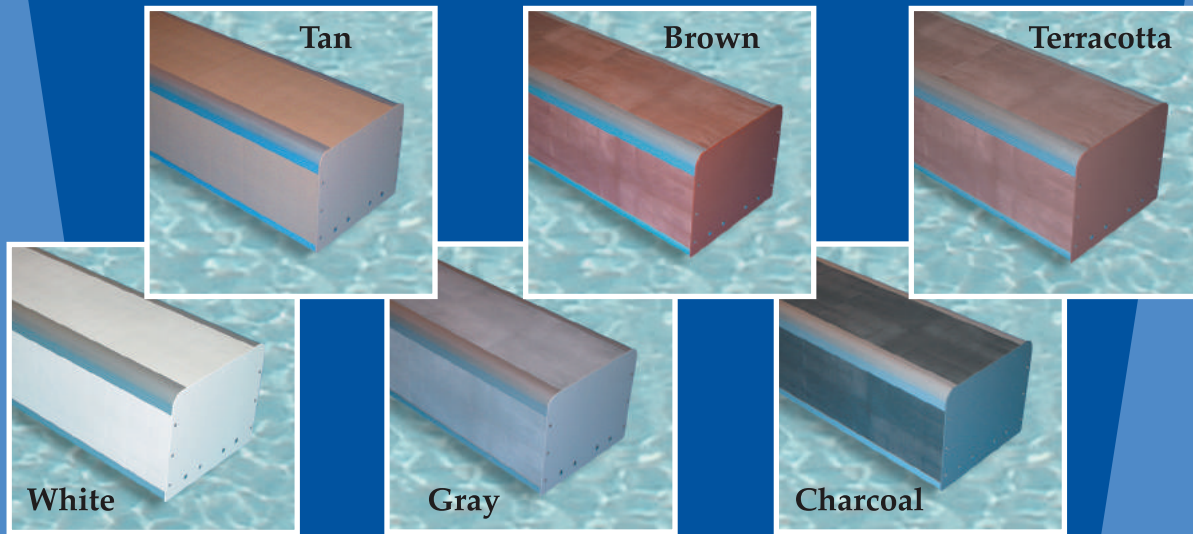
- Durable maintenance free operation
- Opens and/or closes in 70 seconds on average
- Looks like an automatic cover
- Moves like an automatic cover
- Exceeds ASTM standards
- No electrical hazard near the pool
- Excellent seven year fabric warranty
- Lifetime mechanism warranty
- Ideal for the do-it-yourself homeowner
- Available in attractive below deck installations



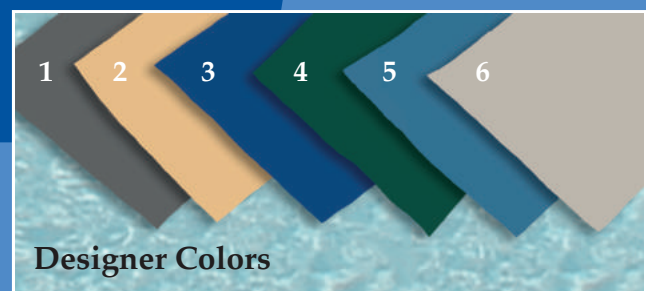
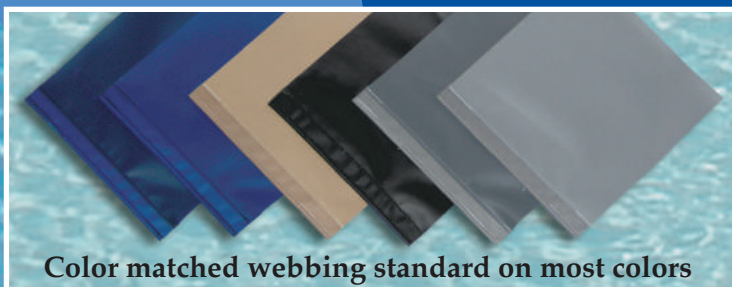
Terra cotta composite lid

Pool Cover Benches, Lids and Fabrics

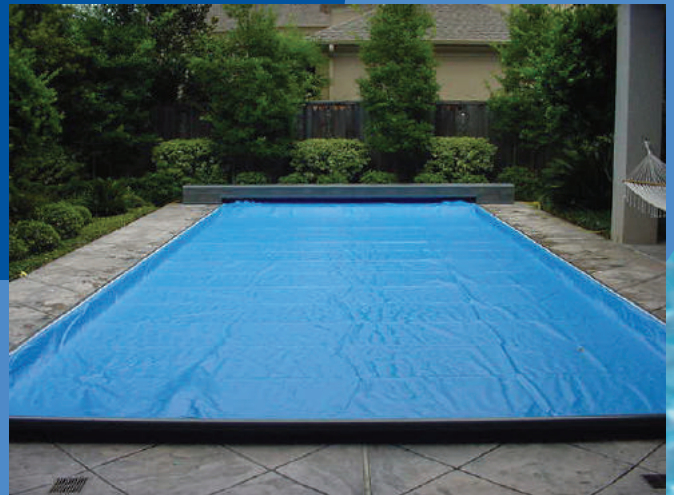
Designed by Aquamatic



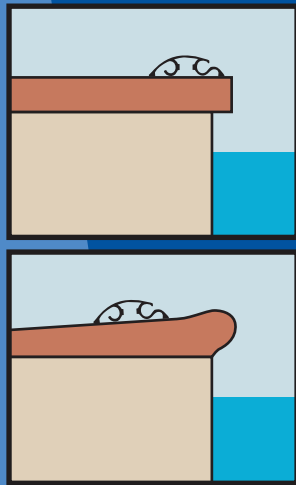
- | | | | |
|---------------|--------------|-------------|----------------|
| 1. Navy | 4. Turquoise | 7. Brown | 10. Gray |
| 2. Royal Blue | 5. Green | 8. Black | 11. Sage Green |
| 3. Light Blue | 6. Tan | 9. Charcoal | |



- | | |
|---------------|-----------------|
| 1. Slate Gray | 4. Hunter Green |
| 2. Buff | 5. Washed Navy |
| 3. Dusty Blue | 6. Brushwood |



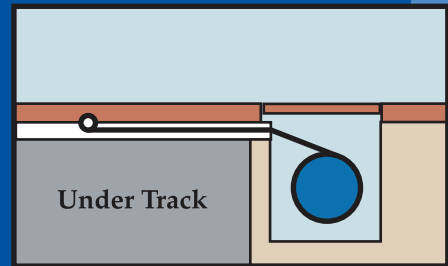
Specifications and Installation Possibilities



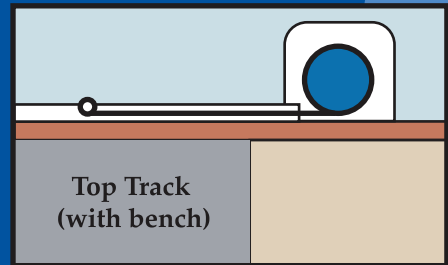
Top Tracks



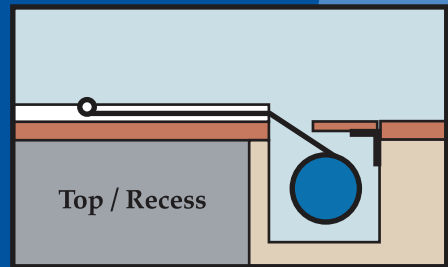
Under Tracks



Under Track



Top Track
(with bench)

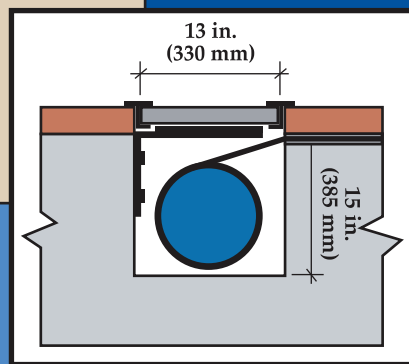
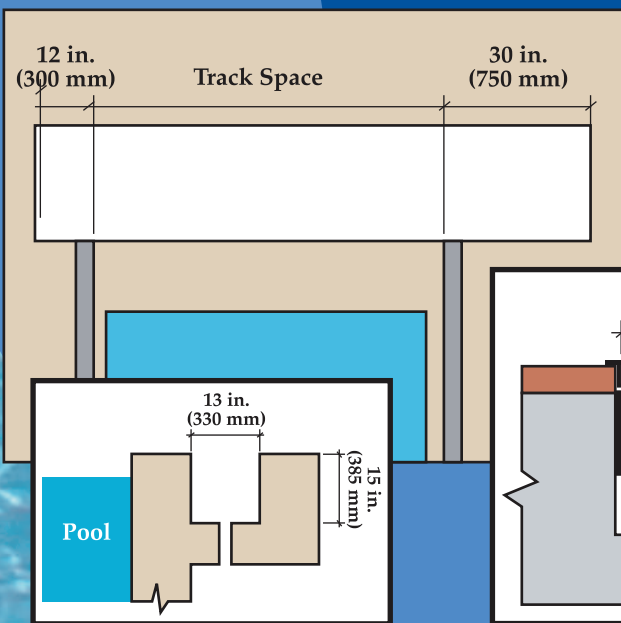


Top / Recess

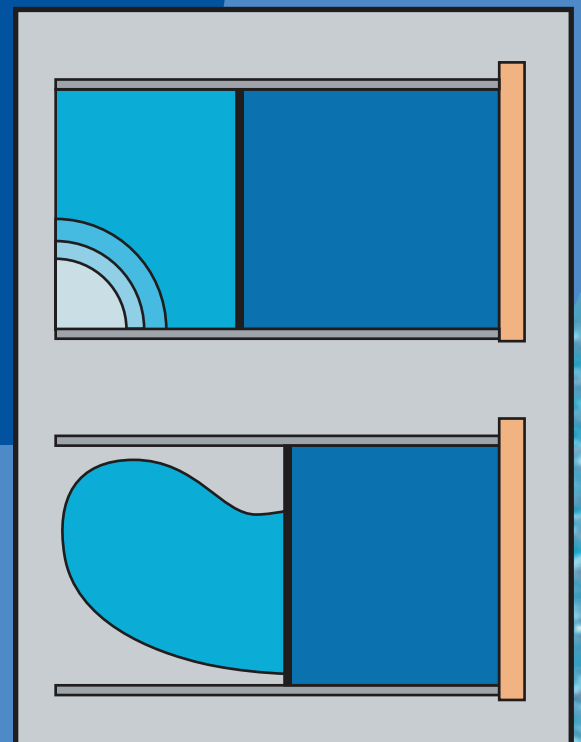
Warranty
Lifetime limited warranty on mechanism
 •••••
7 year limited warranty on the cover fabric
 For specific details call your authorized dealer or local representative.

Aquamatic reserves the right to change components or specifications without prior notice.

Aquamatic Pool Covers are suitable for most Pool Shapes



Dimensions shown are for pools up to 40' long



Advantages and Benefits of Aquamatic's EZ•Cover

Convenience

The EZCOVER is the only manual safety cover that can be opened and closed by one person in one comfortable standing position. No rope to pull, drills to engage or cranks to manhandle. It covers and/or uncovers most pools in 70 seconds on average.

Durability

The EZCOVER mechanism is made of quality components including extensive use of stainless steel, so durable is the EZCOVER, that it is backed by a limited lifetime warranty.

Convertibility

The EZCOVER can easily be converted to the HydraMatic automatic. The EZCOVER will reduce electricity, water savings and chemical consumption. A computerized automatic cover pump is included to remove standing rain water.

Safety

The EZCOVER exceeds ASTM F1346-91 Standards for Pool Safety.

Installation

The EZCOVER can be installed on most pool shapes (consult your dealer or call the factory to see if your pool will accept a cover) it is designed and engineered for the Do it yourself installer.

Warranty

The EZCOVER has the longest most complete warranty in the industry. A seven year limited warranty on the cover, and a limited lifetime warranty on the mechanism.

The Best Single User Manual Safety Cover



Aquamatic Cover Systems

200 Mayock Road • Gilroy, CA, USA 95020

Ph: 800.262.4044 / 408.846.9274

Fax: 800.600.7087 / 408.846.1060

www.aquamatic.com



Automatic & Manual Covers Since 1980

Distribution and Installation Available Worldwide

These products are covered by one or more
of the following patents:

6,3980,680; 6,026,522; 5,950,253; 5,930,848; 5,927,042; 5,845,343; 5,799,342; 5,546,751; 5,349,707; 5,327,590; 5,184,357; 5,067,184; 4,939,798

